

# TFT Color Fingerprint Time Attendance System of the best cost-performance

**3000T-C**



## Introduction

3000T-C is one of the intelligent Fingerprint Time Attendance terminal of the best cost-performance. Adopt Latest fingerprint algorithm with high speed operating. Works in both Standalone and network mode, USB flash drive for offline data management. Data encryption improves security. It's easy to connect with serial printer for attendance ticket, professional attendance software for free.

## Distinctive Feature



Photo-ID



Workcode



Auto status



T9 input



Optional



SMS



Schedule bell

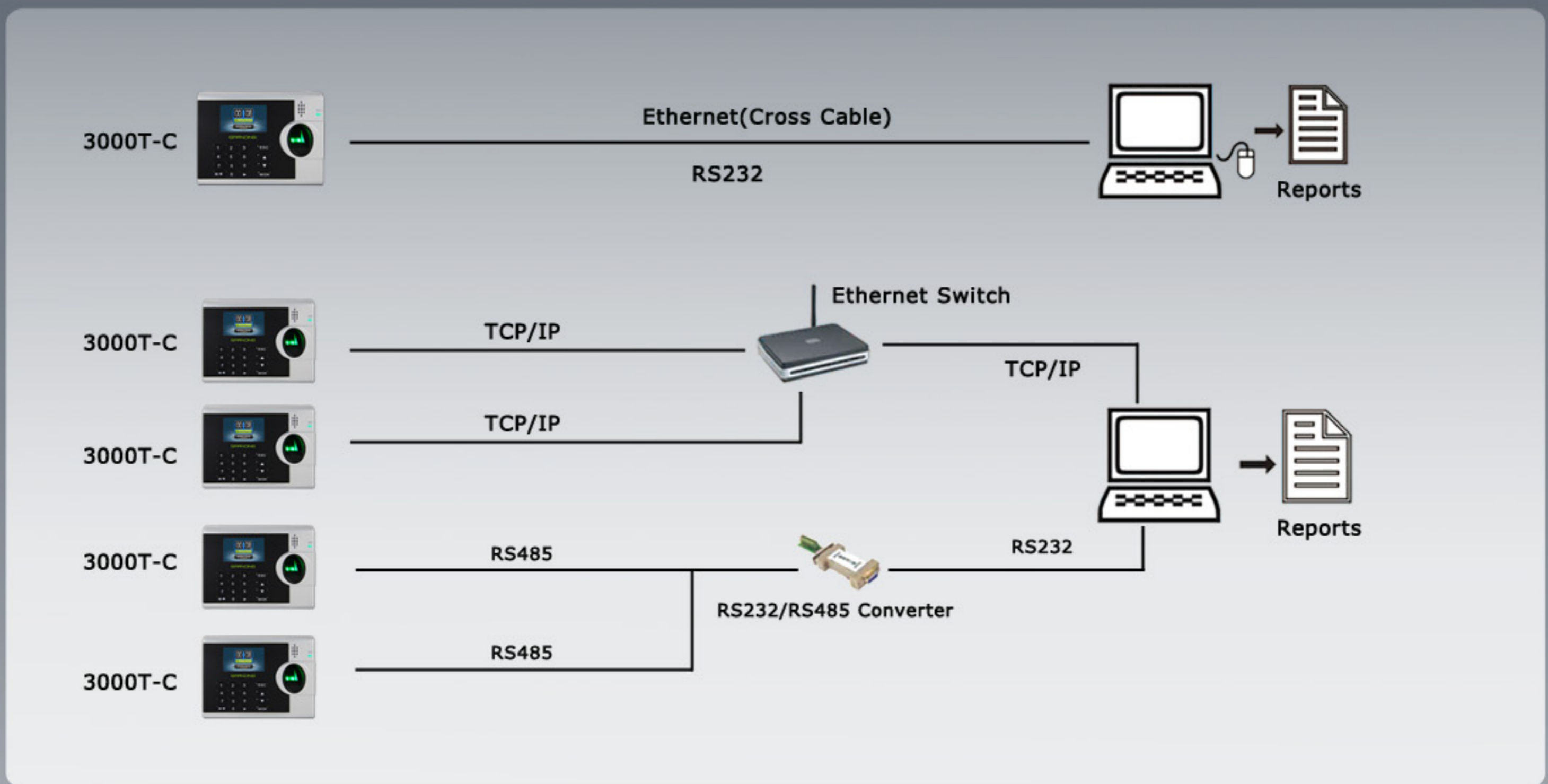


Webserver

## Basic Function

- Friendly 3-inch LCD and new UI design
- TCP/IP, RS232/485 and USB host
- Embedded Linux operating system
- Support many language
- Optional: ID/Mifare/HID card
- User role, fingerprint expired date and shortcut key

## Working Application



## Specification

### LCD Display

3" TFT high-definition graphical interface

### Speaker

Voice prompt

### Capacity

Fingerprint: 3,000      Logs: 100,000

### Verification

Verification speed (1:1) ≤ 0.5s

Identification speed (1:1) ≤ 1s

### Identification

FRR ≤ 0.01%    FAR ≤ 0.0001%

### Attendance status

Check in/out, OT in/out, Break in/out

### Power Supply

110/220 VAC-5VDC/1A

### Language

English, French, Spanish, Arabic (Many languages can be selected)

### Environment

Operation temperature: 0°C-45°C

Operation humidity: 20%-80%

### Communications

TCP/IP, RS232/485, USB/Host

### Package info.

Machine size: 17.8(L)\*14(W)\*5(H)cm    Unit packing: 28\*23\*10cm

Carton packing: 50\*30\*30cm    Real weight: 1.1kg    Volume weight: 1.5kg

### Function support

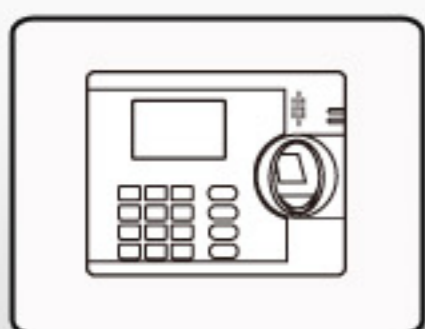
Scheduled bell; Workcode; DST; SMS; Webserver; Auto status

### Customize Function

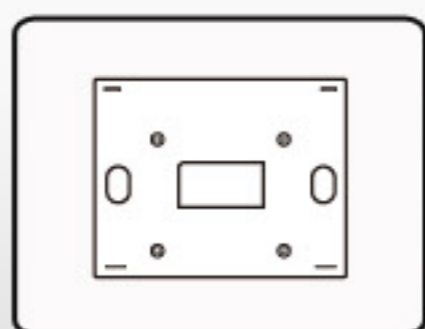
ID / Mifare / HID card reader

Printer output; 9-PIN ID; external bell

## Package List



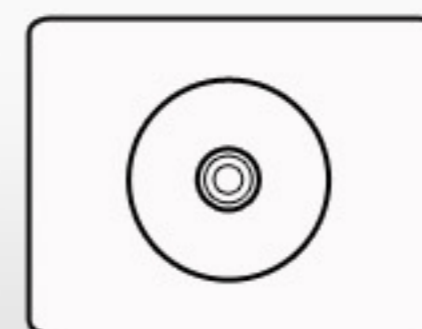
Device



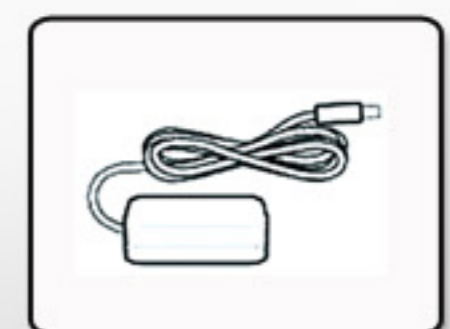
Back Plate



Screws



Software CD



Power Adapter