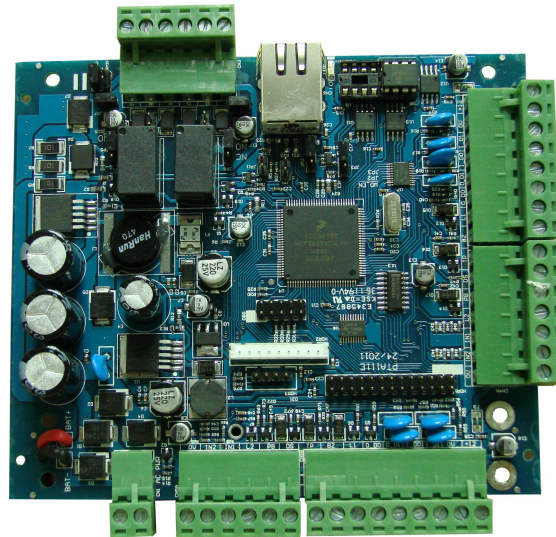




## FEATURES:-

- ✓ Support single/ double doors ie. up to 2x EM locks & 2x in & 2x out proximity readers
- ✓ Support up to 150k users & 80k events
- ✓ Support upgrade firmware through IE Web
- ✓ Native IP with Peer to Peer communication
- ✓ High speed data polling to Server
- ✓ Compatible with various reader technologies
- ✓ Interlocking
- ✓ Built-in web server
- ✓ AES- 128 Encryption



## SMART ARCHITECTURE

### Effective Infrastructure

Leverage on the usage of existing network infrastructure, hence saving your cost.

### Adaptive Network Bandwidth

High bandwidth with high speed polling transmits data easily, enabling real-time transaction to the users.

## ACTIVE ENVIRONMENT

### Client To Server Environment

Communication between the Server with FALCO controllers happens whenever an events is active on the controller.

### Peer to Peer Communication

Communicate between one with another controller without the need of the database server as the facilitator.

## ADVANCED TECHNOLOGY

### Speedy Transmission

Pattern algorithms are employed to search card database under 1 second for up to 150k users.

### Secure Technology

-Falco uses its own proprietary protocol that cannot be obtained from anyone else

-Integrated power supply module ensures stable operation despite electricity cut-off

-Door controllers and the relays are placed in secure locations for the better security

### Larger Storage

-Unbeatable technology enables Falco controller to support up to 150k users & 80k events memory.

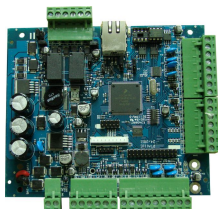


# IP 1 | 2 DOOR CF CONTROLLER

## SPECIFICATION:-

PROCESSING UNIT	Freescale CF microcontroller 32 bits @ 60MHz
MEMORY	512 kb EEPROM & 16 Mb FLASH
BATTERY CHARGER	12 VDC / 7AH (Onboard battery backup charger)
READER SUPPORTED	1 door (2 readers) / 2 doors (4 readers) -12vDC @200mA per reader port
READER TECHNOLOGY	Standard Wiegand format (26 bit -64 bit)
USERS / HISTORY	Standard 70k users, 40k events, upgradable to 150k users, 80k events
COMMUNICATION	RJ45 Ethernet/ 10/100 Base-T ( Max 100m / 328ft.)
NETWORK PROTOCOLS	TCP/IP, ARP, DHCP
INPUTS FUNCTIONALITY	Fire in/ exit push button / door contact/ tamper
CONTROLLER	Support 2 destination IP address
DIMENSION / WEIGHT	PCB board = 137 (L) x117 (W) x 15.5 (H) mm / 25g
OPERATING TEMPERATURE	0°C ~ 55°C / 32° ~ 165°F (subject to battery specifications)
HUMIDITY	0 ~ 85% Humidity (relative non-condensing)
POWER	14.5 VAC @ 12 VDC (Onboard power supply module)
SECURITY ENCRYPTION	AES- 128
CERTIFICATIONS	CE – CLASS A UL 294 LISTED – SECURITY MARK FCC PART 15, CLASS A RoHS

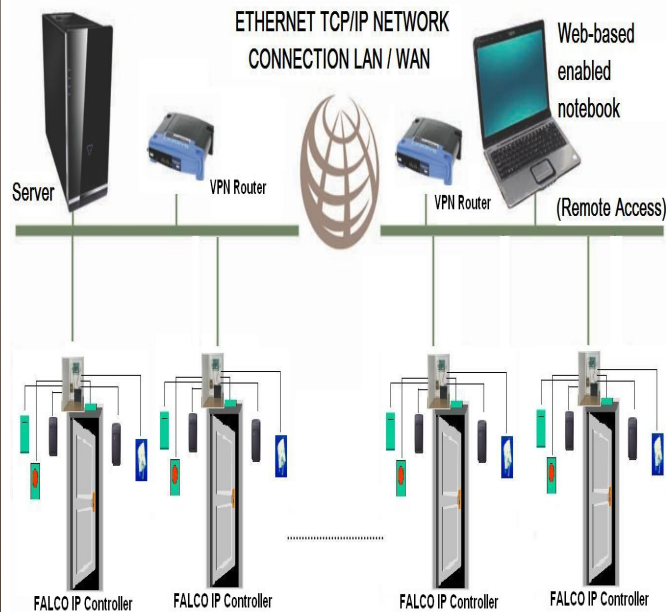
## ORDER INFORMATION :-



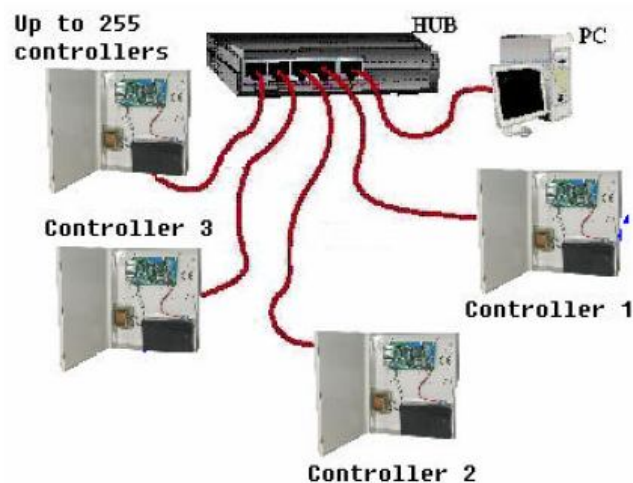
**1 door controller**  
Model : CTRL-1DR-CF16M/IP(2.0A)-PCB

**2 doors controller**  
Model : CTRL-2DR-CF16M/IP(2.0A)-PCB

## FALCO DOOR TCP/IP SITE SYSTEM ARCHITECTURE



## FALCO DIGITAL IP ACCESS CONTROL WITH TCP/IP



## ACCESSORIES :-



**Metal Casing**  
Model : EMPTY CONTROL PANEL BOX



**Transformer**  
Model : SF-0523-PT TRANSFORMER  
15.0V@3.0A



**12V DC BATTERY**  
Model : FA12-7E BATTERY